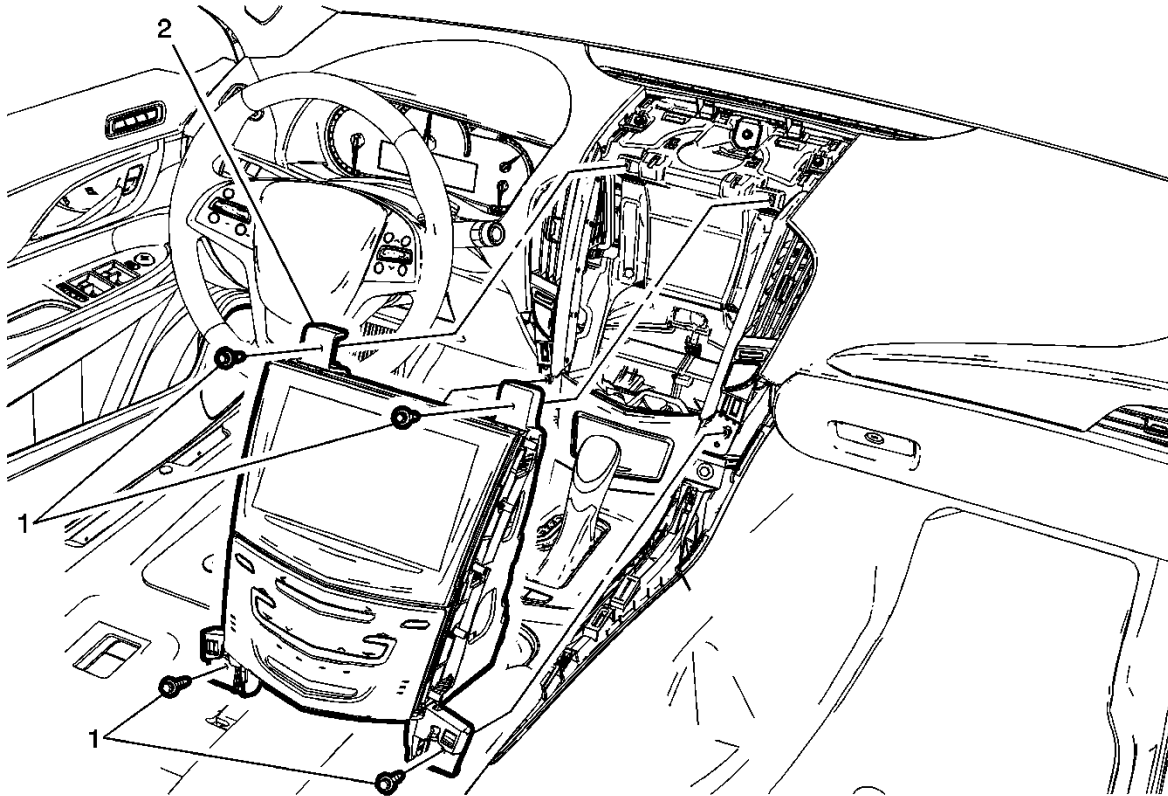
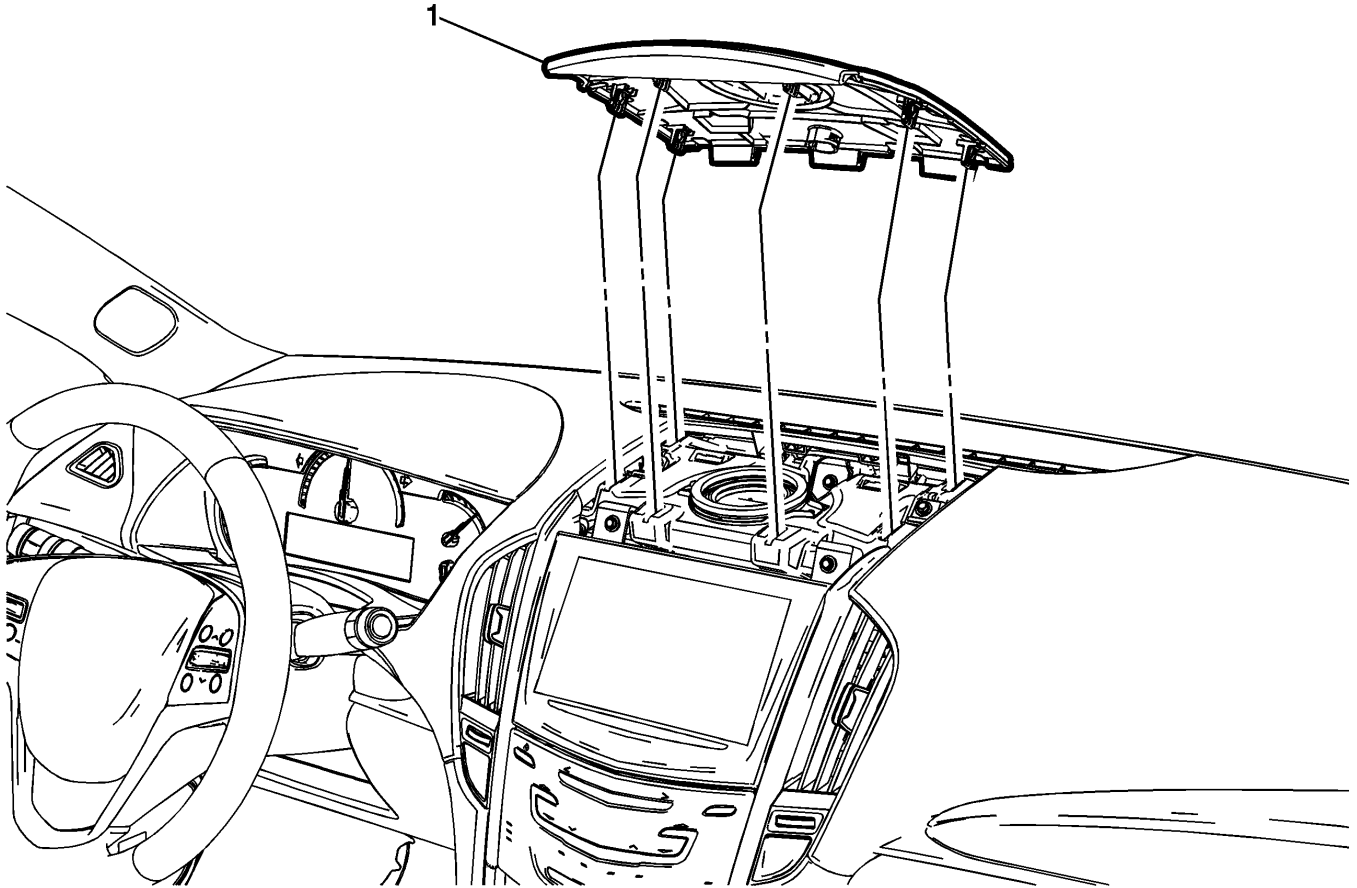


Radio Control Assembly Replacement



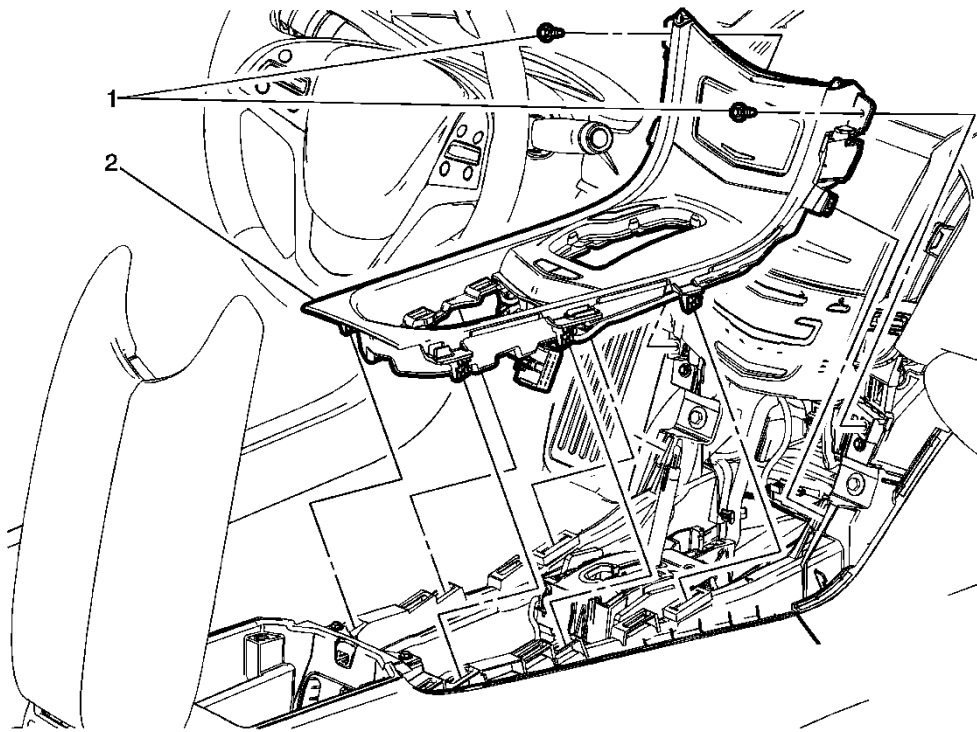
Callout	Component Name
<p>Preliminary Procedure</p> <ol style="list-style-type: none"> 1. Remove the radio front center speaker grille. Refer to Radio Front Center Speaker Grille Replacement. 2. Remove the front floor console trim plate. Refer to Front Floor Console Trim Plate Replacement. 	
1	<p>Radio Control Fasteners (Qty: 4)</p> <p>Caution: Refer to Fastener Caution.</p>

Radio Front Center Speaker Grille Replacement



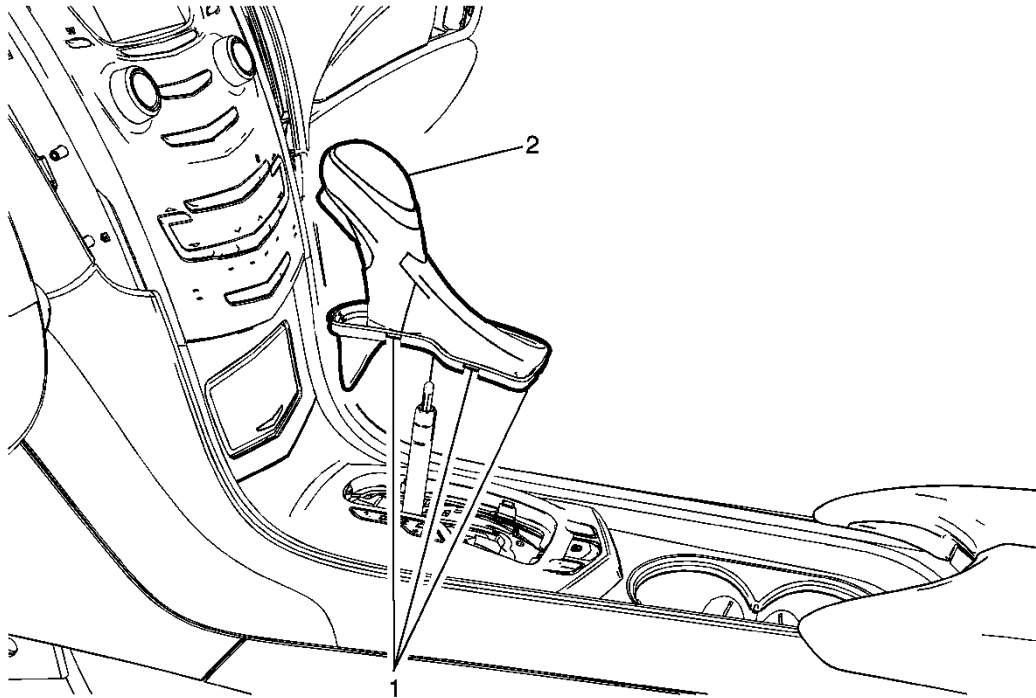
Callout	Component Name
1	<p>Radio Front Center Speaker Grille</p> <p>Procedure</p> <ol style="list-style-type: none">1. Use a plastic flat bladed tool to remove the grille assembly.2. Disconnect the electrical connector.3. Transfer components as necessary.

Front Floor Console Trim Plate Replacement



Callout	Component Name
<p>Preliminary Procedures</p> <ol style="list-style-type: none"> 1. Remove the transmission control lever knob for automatic transmission, if equipped. Refer to Transmission Control Lever Knob Replacement. 2. Remove the transmission control lever knob for manual transmission, if equipped. Refer to Transmission Control Lever Knob Replacement. 3. Remove the front floor console cup holder plate. Refer to Front Floor Console Cup Holder Plate Replacement. 4. Remove both front floor console side trim panels. Refer to Front Floor Console Side Trim Panel Replacement - Right Side and Front Floor Console Side Trim Panel Replacement - Left Side. 	
1	<p>Front Floor Console Trim Plate Fasteners (Qty: 2)</p> <p>Refer to Fastener Caution.</p>
2	<p>Front Floor Console Trim Plate</p> <ol style="list-style-type: none"> 1. Use a flat-bladed plastic trim tool to remove the trim plate from the console. 2. Disconnect electrical connections.

Removal Procedure- Automatic Transmission

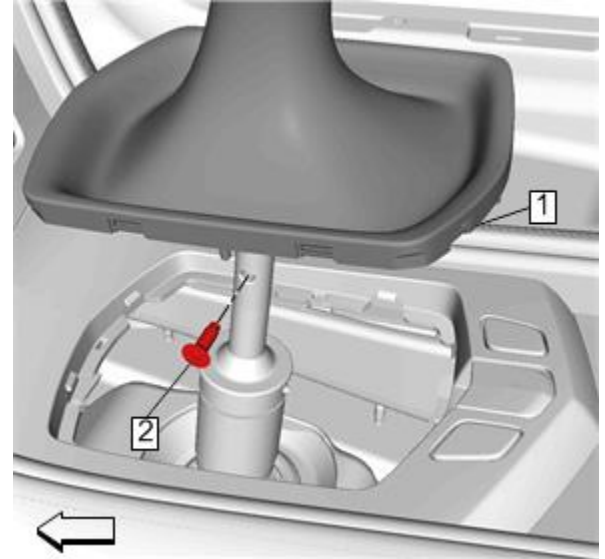


Callout	Component Name
1	<p>Transmission Control Lever Knob Retainer (Qty: 6)</p> <p>Procedure</p> <p>Use a flat-bladed plastic trim tool in order to release the retainer clips securing the control lever boot.</p> <p>Note: Place the transmission control in the Neutral position.</p>
2	<p>Transmission Control Lever Knob</p> <p>Note:</p> <ul style="list-style-type: none"> • The control lever boot and knob are replaced as an assembly. • To remove the knob, pull upward and twist. • After knob installation, "pull shift knob straight upward with moderate force (No twisting motion) to ensure secure knob attachment to shifter rod."

Removal Procedure- Manual Transmission

Note: The transmission control lever boot and knob are replaced as an assembly.

1. Using a flat bladed trim tool, detach the transmission control lever boot (1) from the console.
2. Lift the transmission control lever boot to access the shift knob fastener (2).
3. Remove the fastener, then lift off the transmission control lever boot and knob assembly.



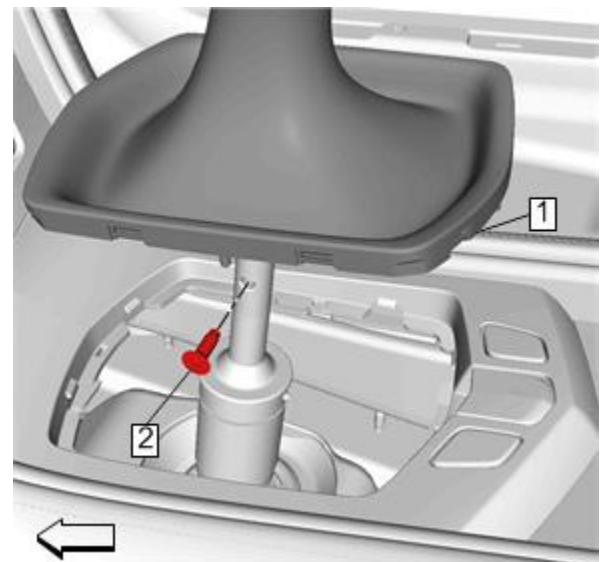
Installation Procedure

1. Clean the stub shaft and fastener (2) threads prior to reinstalling the shift knob to remove residual thread locker using a (recommended) tap and die set.
2. Position the transmission control lever boot and knob assembly on the transmission control lever.
3. Apply thread locker to the shift knob fastener (2) and install the fastener. [Adhesives, Fluids, Lubricants, and Sealers](#).

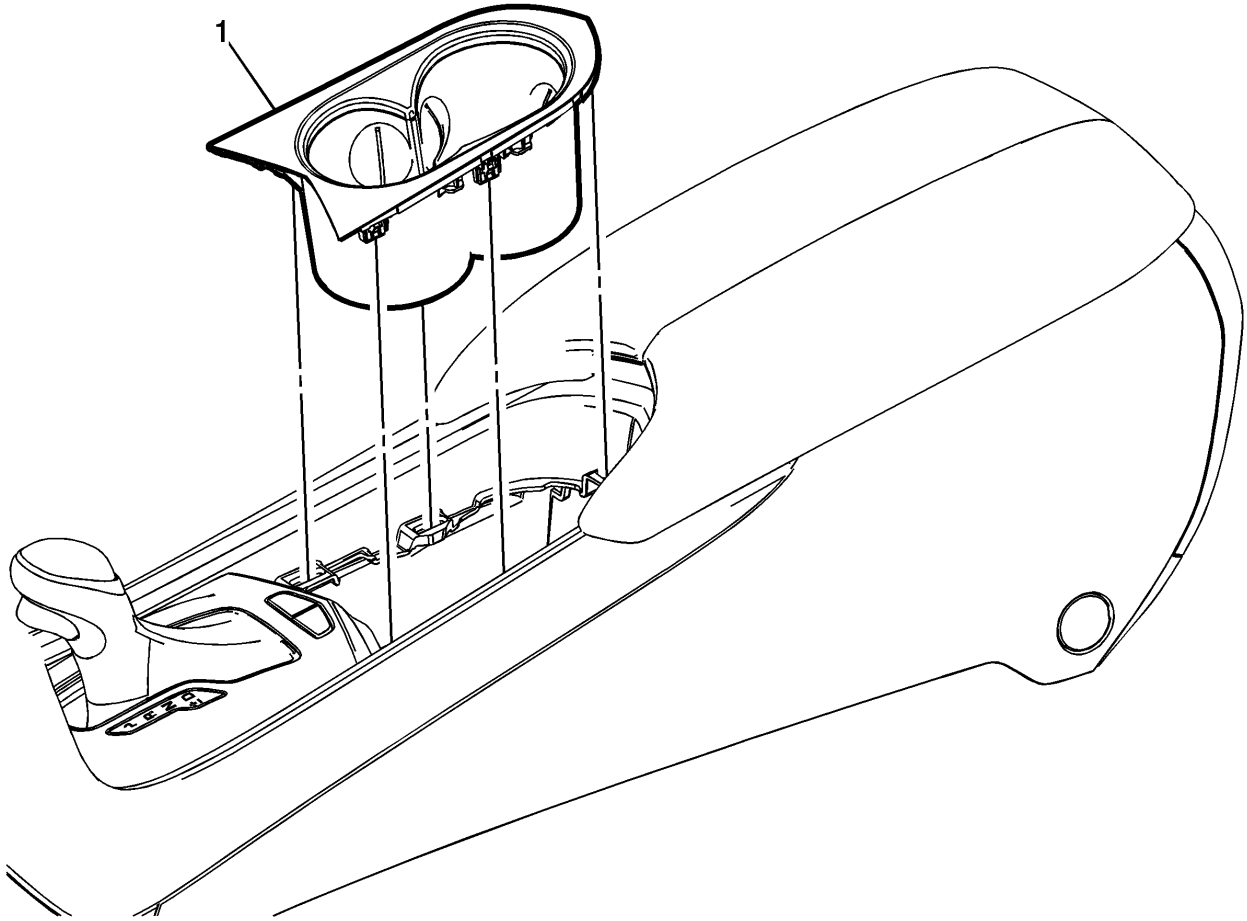
1. Caution:

Refer to [Fastener Caution](#).

2. Tighten the fastener to 7 N-m (62 lb in).
3. Install the transmission control lever boot (1) to the console.

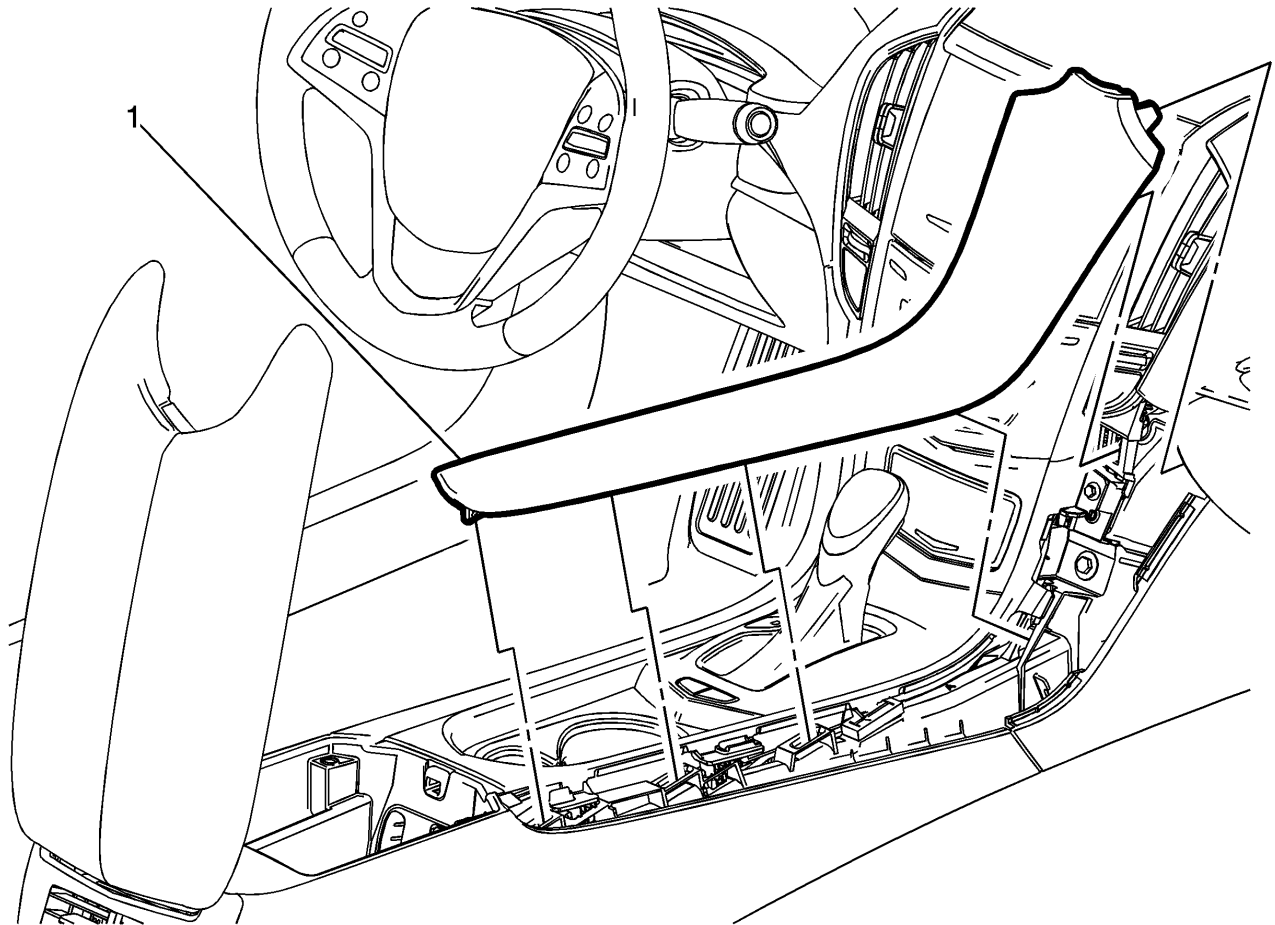


Front Console Cup Holder Plate Replacement



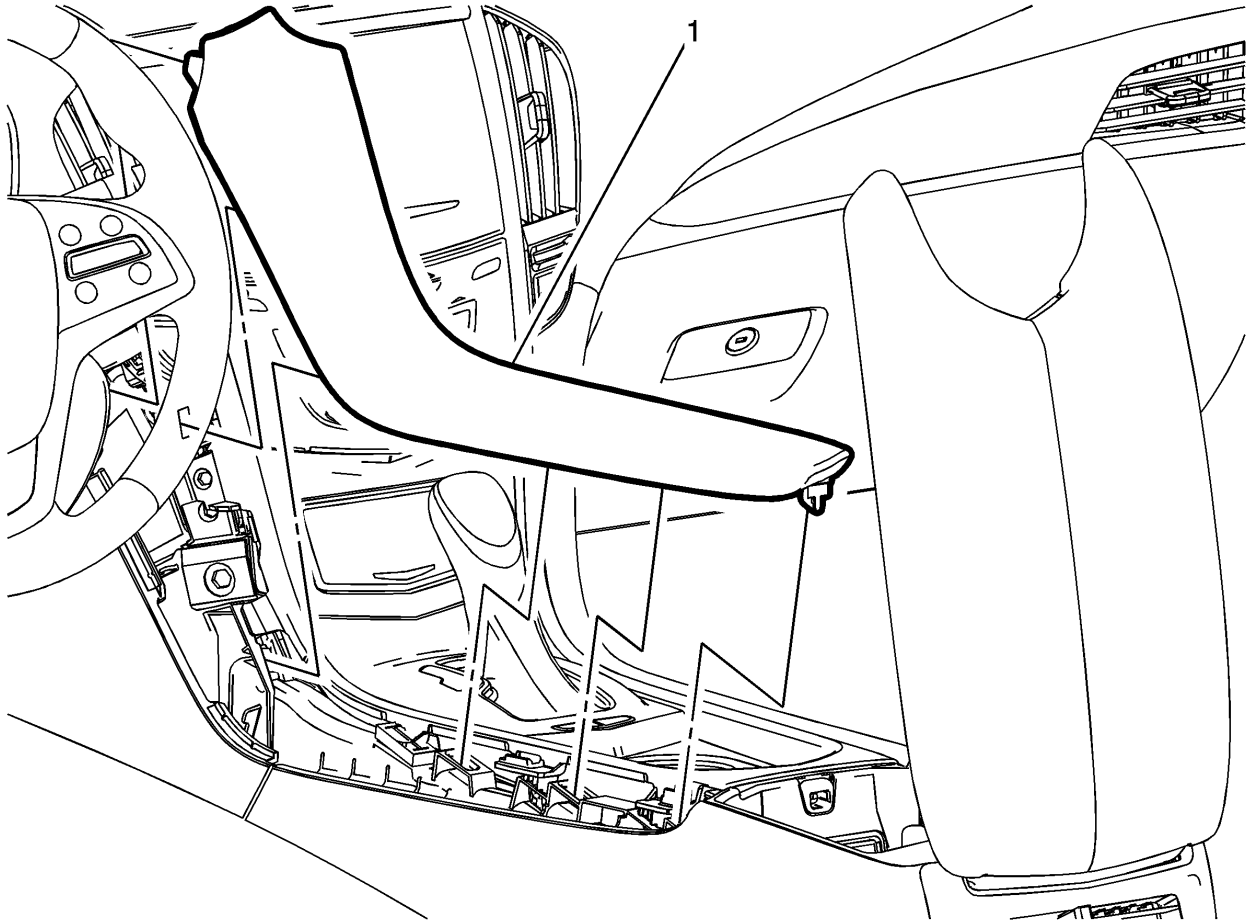
Callout	Component Name
1	Front Floor Console Cup Holder Plate Procedure Use a flat-bladed plastic trim tool to remove the cup holder plate from the console.

Front Floor Console Side Trim Panel - Right Side



Callout	Component Name
1	Front Floor Console Side Trim Panel - Right Side Procedure Use a flat-bladed plastic trim tool to remove the trim panel from the console.

Front Floor Console Side Trim Panel - Left Side



Callout	Component Name
1	Front Floor Console Side Trim Panel – Left Side Procedure Use a flat-bladed plastic trim tool to remove the trim panel from the console.

Fasteners

Caution:

Use the correct fastener in the correct location. Replacement fasteners must be the correct part number for that application. Do not use paints, lubricants, or corrosion inhibitors on fasteners, or fastener joint surfaces, unless specified. These coatings affect fastener torque and joint clamping force and may damage the fastener. Use the correct tightening sequence and specifications when installing fasteners in order to avoid damage to parts and systems. When using fasteners that are threaded directly into plastic, use extreme care not to strip the mating plastic part(s). Use hand tools only, and do not use any kind of impact or power tools. Fastener should be hand tightened, fully seated, and not stripped.