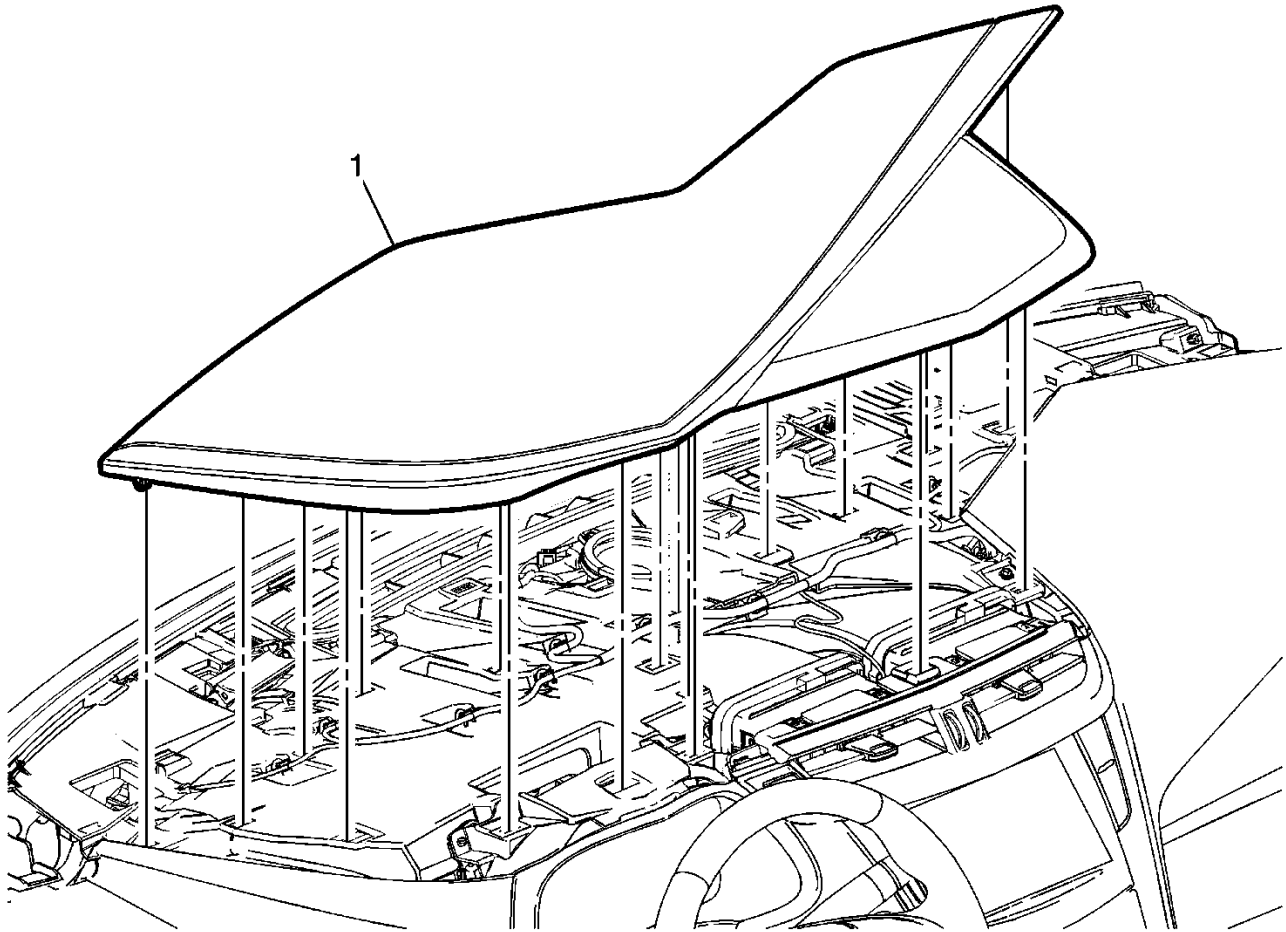
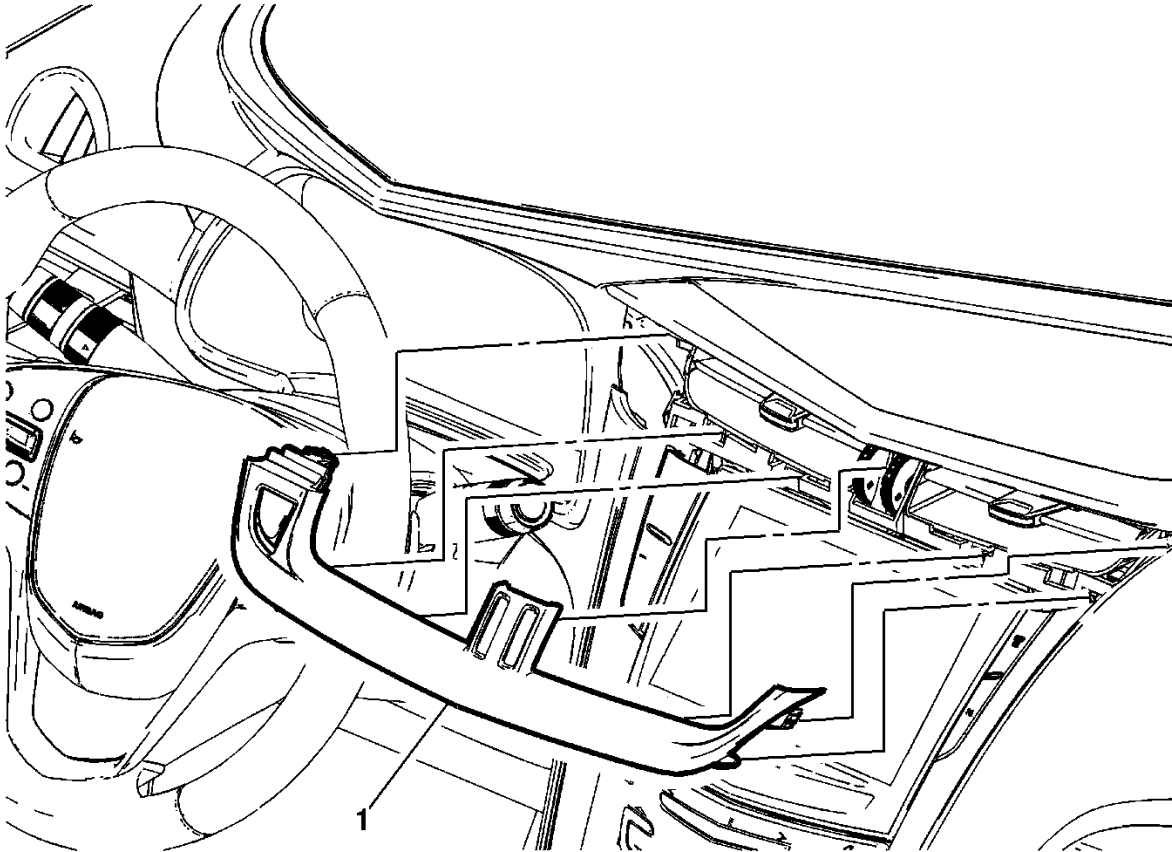


Remove Instrument Panel Hood (Dash Cap)



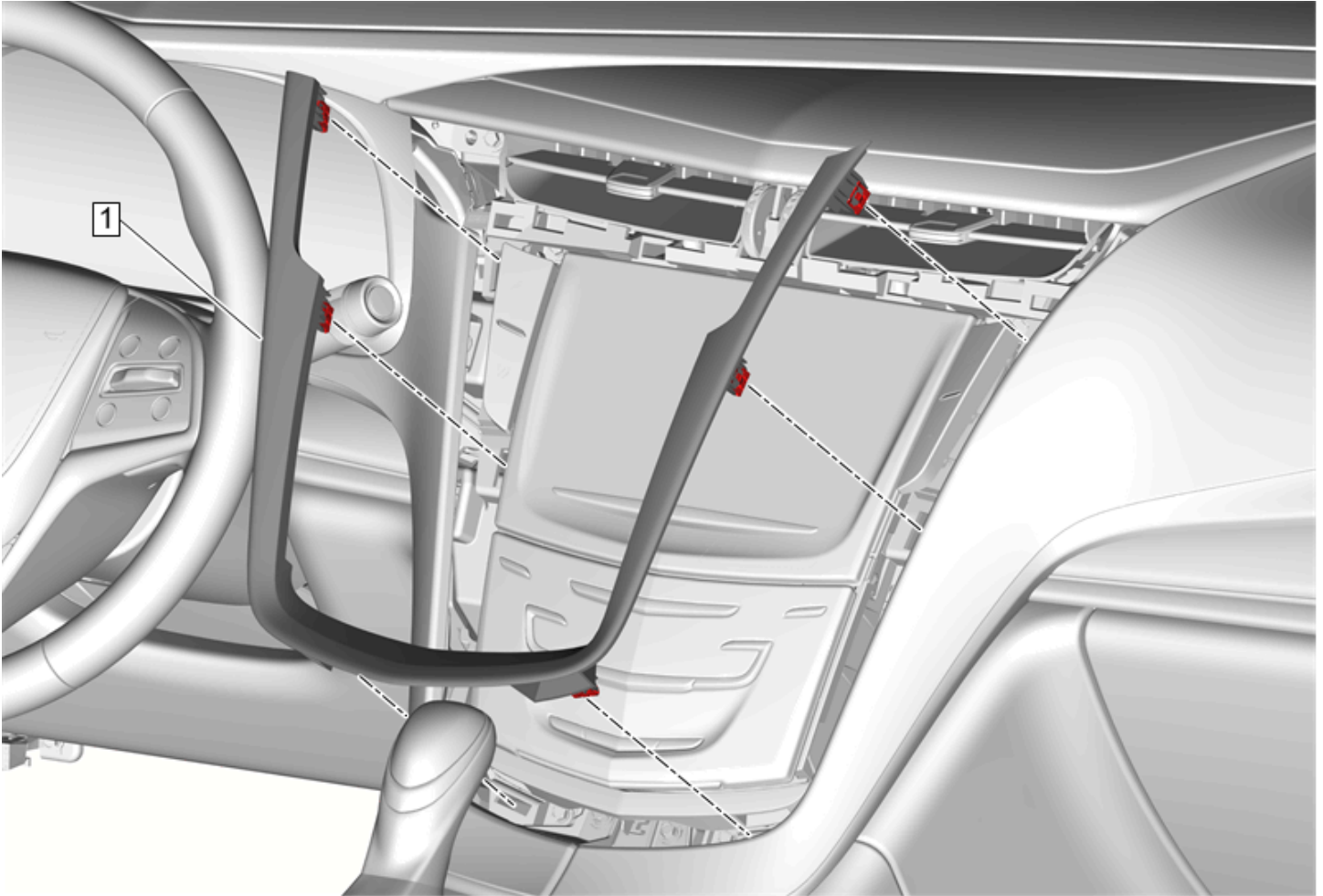
Callout	Component Name
1	<p>Instrument Panel Instrument Cluster Hood</p> <p>Procedure</p> <p>Use a flat bladed plastic trim tool to aid in the removal of the hood from the instrument panel assembly.</p> <p>You may need to lift up on the front grille to release the lip of the dash cap.</p>

Remove Center Trim Plate Applique



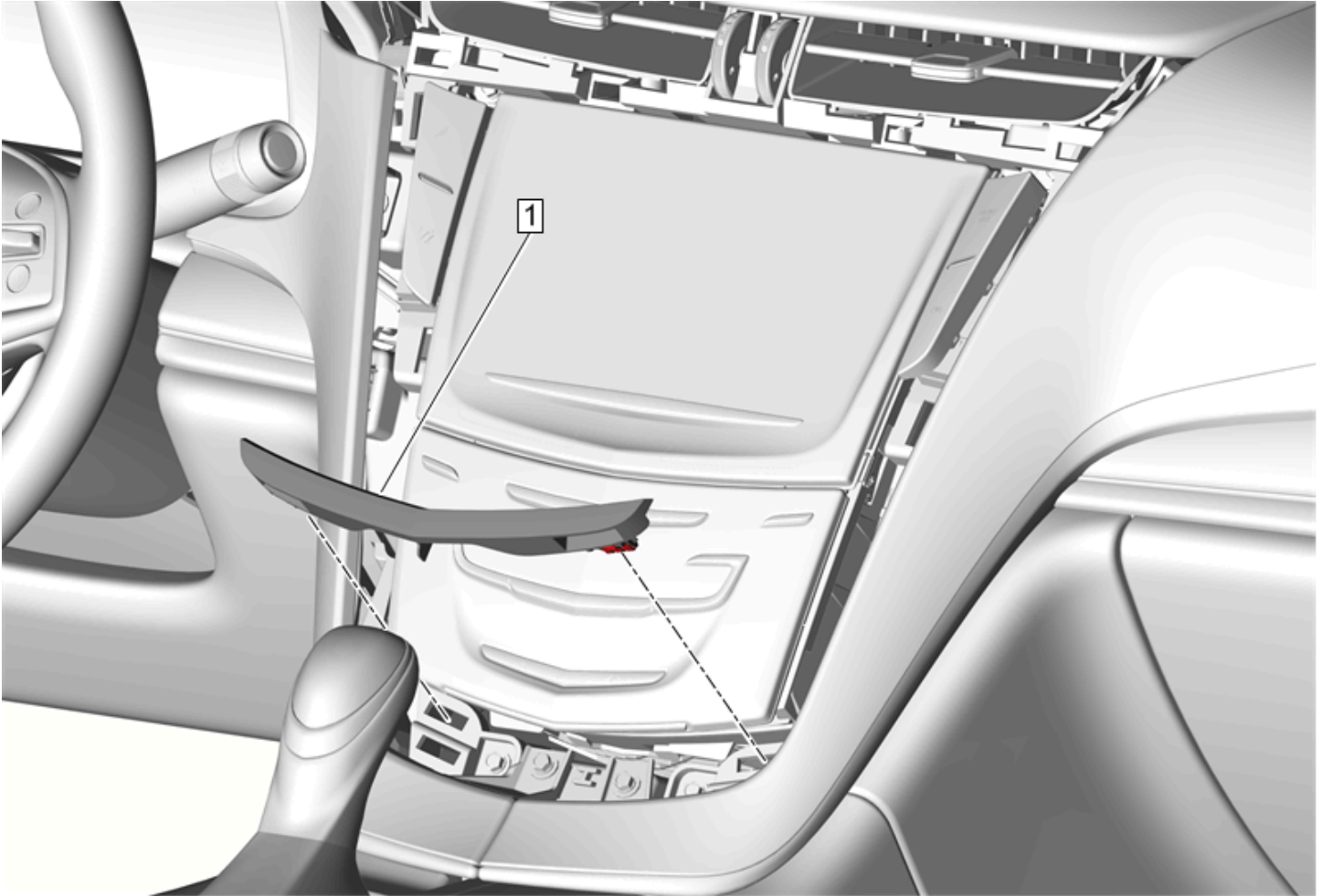
Callout	Component Name
1	<p data-bbox="233 1465 760 1497">Instrument Panel Center Trim Plate Applique</p> <p data-bbox="329 1518 472 1545">Procedures</p> <ol data-bbox="282 1570 1446 1730" style="list-style-type: none"><li data-bbox="282 1570 1446 1633">1. Use a flat bladed plastic trim tool to aid in the removal of the applique from the instrument panel assembly.<li data-bbox="282 1654 748 1682">2. Transfer components as necessary.<li data-bbox="282 1703 748 1730">3. Disconnect the electrical connector.

Remove Lower Center Trim Plate Applique



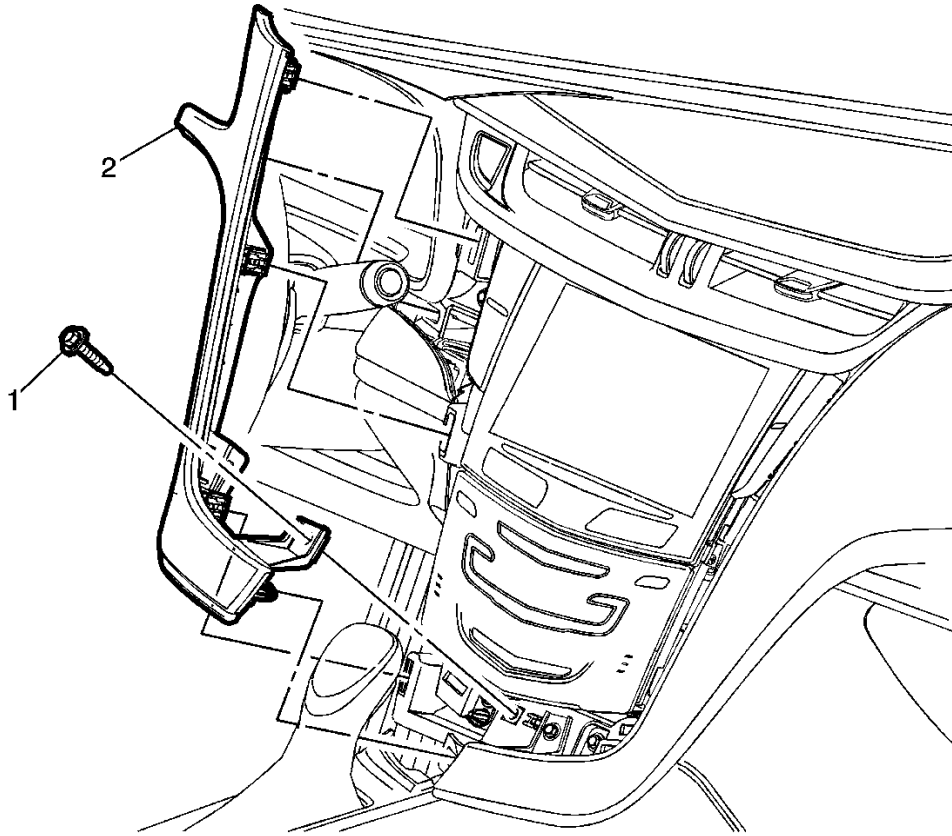
Callout	Component Name
1	<p>Instrument Panel Lower Center Trim Plate Applique</p> <p>Procedure</p> <p>Use a flat bladed plastic trim tool in order to release the retainers securing the trim plate applique to the instrument panel assembly.</p>

Remove Accessory Center Trim Plate Applique



Callout	Component Name
1	<p>Instrument Panel Accessory Center Trim Plate</p> <p>Procedure</p> <p>Use a flat bladed plastic trim tool to aid in the removal of the plate from the instrument panel assembly after opening compartment door.</p>

Remove Left Lower Trim Panel



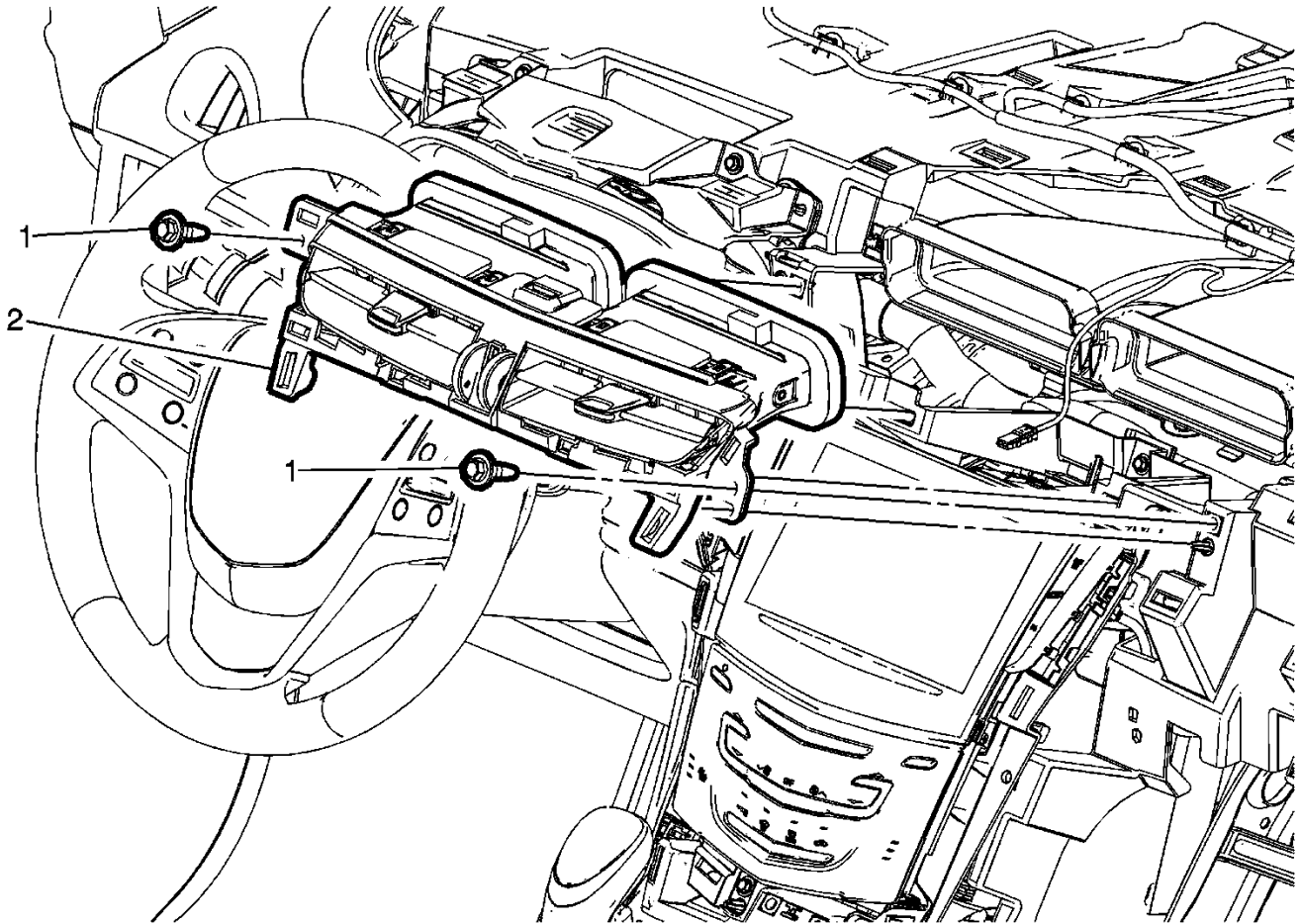
Callout	Component Name
<p>Preliminary Procedure</p> <ol style="list-style-type: none"> 1. Set parking brake and move the shifter to neutral. 	
1	<p>Instrument Panel Lower Trim Panel Bolt</p> <p>Tighten</p> <p>2.5 N-m (22 lb in)</p>
2	<p>Instrument Panel Lower Trim Panel</p> <p>Procedure</p> <p>Use a flat bladed plastic trim tool in order to release the retainers securing the trim panel to the instrument panel assembly.</p>

Lift up right side panel to access bolt



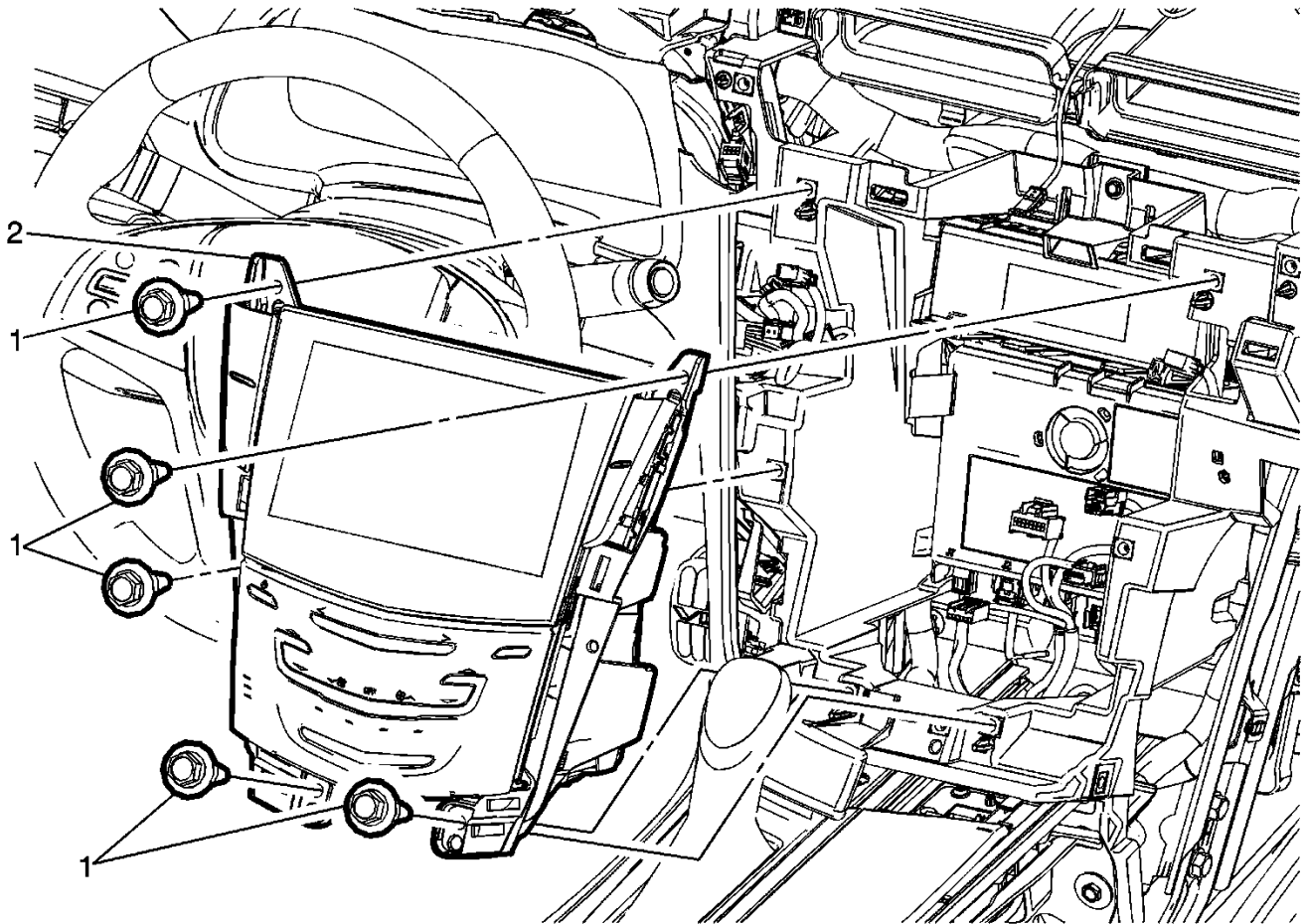
Callout	Component Name
	Instrument Panel Upper Trim Panel - Right Use a flat bladed plastic trim tool to lift up the right panel to access right side AC vent screw.

Remove Instrument Panel Center Air Outlet



Callout	Component Name
1	Instrument Panel Center Air Outlet Bolt (Qty: 2) Tighten 2.5 N-m (22 lb in)
2	Instrument Panel Center Air Outlet- To disengage the lower AC vent clips, firmly tug the AC vent back. Or, you can just remove the CUE module screws in the next step and the leverage from the module will pop it out.

Remove CUE Module



Callout	Component Name
1	Instrument Panel Accessory Bracket Bolt (Qty: 5) Tighten 2.5 N-m (22 lb in)
2	Instrument Panel Accessory Bracket Procedure 1. Disconnect all electrical connectors. 2. Remove the Radio Control Assembly.